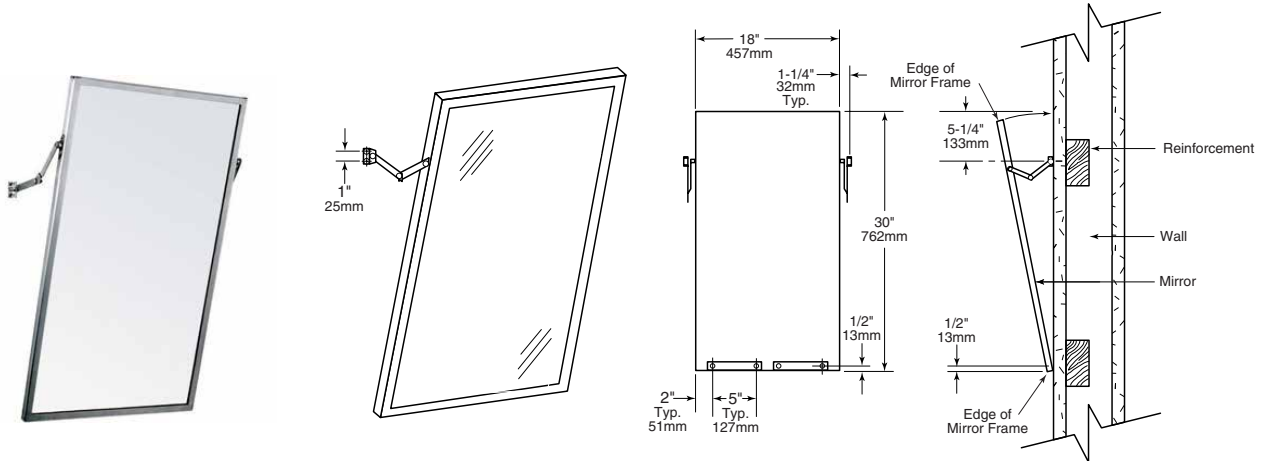


OPTIONS: *Special reflective surfaces, add suffix:*

- T 1/4" tempered glass mirror
 - L 1/4" laminated glass mirror
 - SS 20 gauge 430 bright annel stainless steel
- Custom sizes available



CONSTRUCTION:

Frame — fabricated of 18-8 type 304 stainless steel with exposed surfaces having a #4 satin-finish. One piece roll formed angle is 5/8" x 5/8" (16 x 16mm) welded-frame. All welded construction. Corners are welded ground and polished smooth.

Back Pane — fabricated of galvanized steel. Shock absorbing material is placed between mirror and back panel.

Standard Mirror Glass — #1 quality, 1/4" (6mm) plate/float glass guaranteed against silver spoilage for 25 years. Meets and exceeds federal specifications DD-M-00411B & C. S. 27.

SPECIAL REFLECTIVE SURFACES:

These surfaces resist breakage and provide a measure of safety from broken glass, but differ in color and reflective quality from standard glass mirrors.

INSTALLATION:

Surface-mounted. Mirror installs on adjustable elbows and stainless steel piano hinge for adjustment of tilt mirror. Secure to wall with 8 #10 x 1-1/2" (38mm) flat head full threaded screws. Mirror is replaceable in field.

ADA GUIDE:

Access to mirrors should be 40" (1016mm) from bottom edge of reflective surface to the finish floor. Full length mirrors will accommodate all facilities.