

# CleanPro® SI-7200

Automatic Shoe Cover Dispenser

User Manual



**CleanPro**  
(888) 903-0333 | [www.gotopac.com](http://www.gotopac.com) ®

## Introduction

Thank you for choosing the SI-7200 automatic shoe cover dispenser.

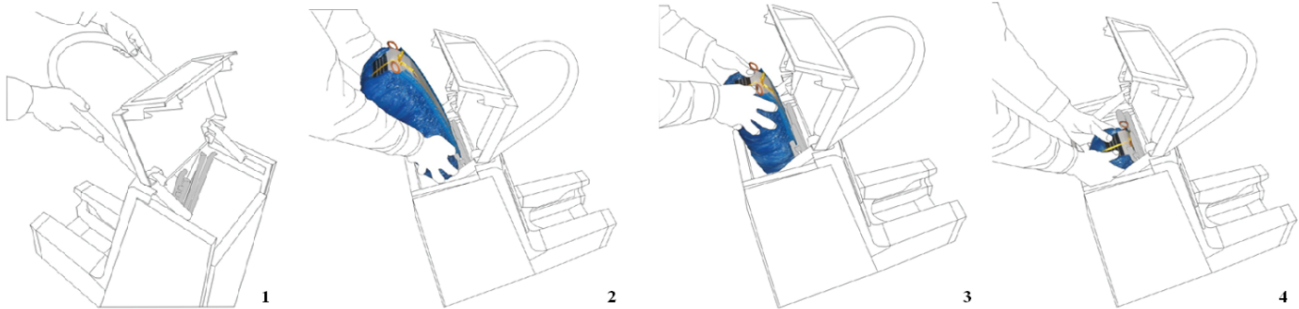
This model can hold up to 220 shoe covers in two bundles.

Please read these instructions completely before use.

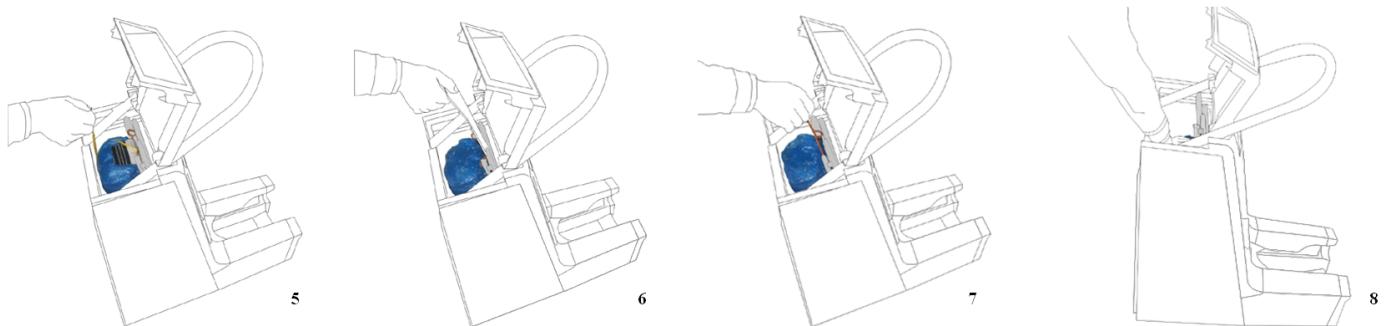
For additional assistance, contact us toll-free at (888) 903-0333.

## Set Up

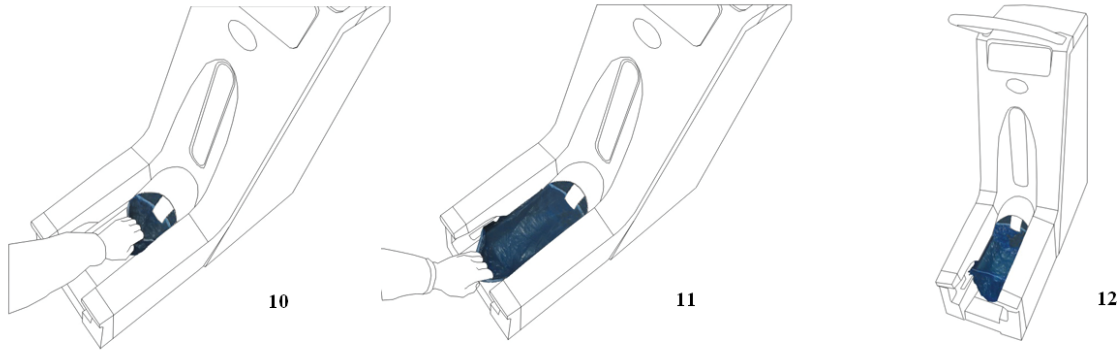
1. Open the lid to a rest position and install the handlebar using the four screws provided.
2. Take one new bundle of shoe covers and align the clips found on each side of the bundle with the top of the guide rails (tracks). Using both hands, slide the clips down the tracks on both sides, making sure the balls on the ends of the clips are on the outside of the tracks.
3. Slowly push the bundle down the tracks. Since the bundle has a natural arch, take care to push it toward the front of the dispenser while pushing down to ensure all the clips get into the tracks.
4. Continue to push the bundle with both hands until the last clips pass the lock position at the top of the tracks.



5. Untie and remove the ribbon holding the bundle together.
6. Remove the cardboard.
7. Remove the plastic strips by holding the bundle in place with one hand while using the other hand to grip the plastic rings and pull the strips out of the bundle.
8. Push the bundle downward until the shoe covers touch the metal tongue and can be seen from the front of the dispenser.

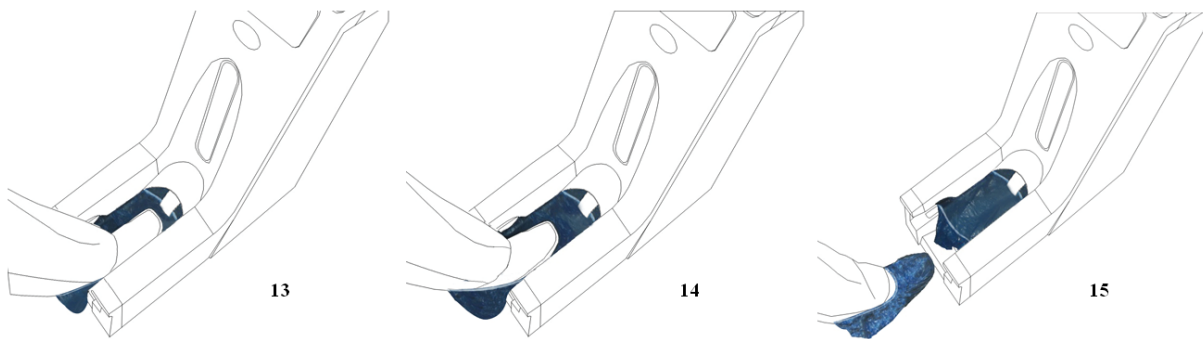


9. Repeat steps 2-7 to load a second bundle of shoe covers.
10. Close the lid and pull the first shoe cover out from under the metal tongue.
11. Pull the first shoe cover along the tracks until it passes the clip holders at the ends of the tracks.
12. The SI-7200 dispenser is ready for use.



### How to use your SI-7200

13. Put one heel in the back of the shoe cover. Angle your heel slightly downward in order to catch the back of the shoe cover. Rest the toe of your shoe on the metal plate if necessary.
14. In one continuous and smooth motion, pull back with your heel while dropping your toe into the shoe cover pocket.
15. During the step above, your shoe should be level—NOT angled with toe pointing up and heel pointing down—and should not touch the ground until the shoe cover is released. Continue to pull your foot back until the clips are released from the tracks.



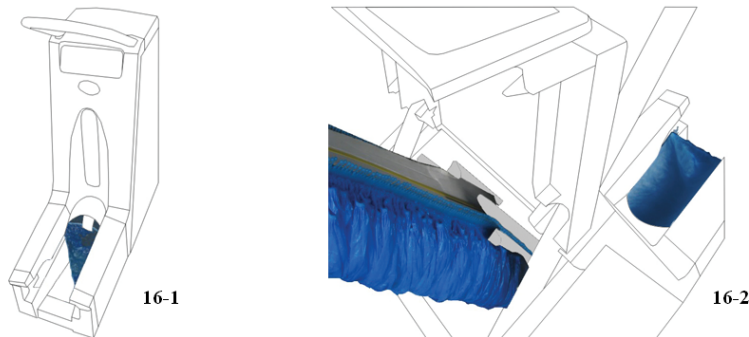
**Initially, users should proceed slowly and deliberately when loading and using the dispenser. Within a short period of time, both loading and using the dispenser will be simple, easy tasks.**

## Troubleshooting

**Problem:** One or both plastic clips are not inside the tracks when the shoe covers are dispensed (Figure 16-1).

**Possible reason:** During loading, some of the plastic clips were not properly placed inside the tracks.

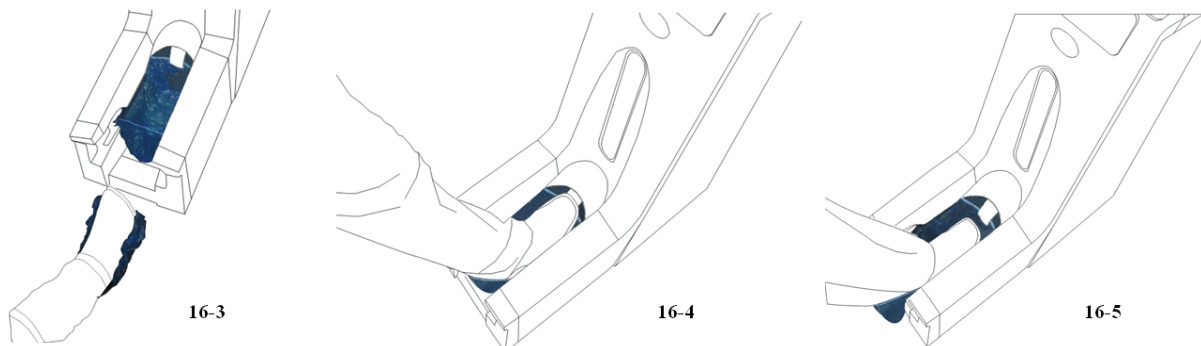
**Solution:** If one clip is still in the track as shown in Figure 16-1, simply angle your heel in and dispense as normal. For future bundles, make certain all plastic clips are inside the tracks as detailed in steps 2-3 above. If not, prior to steps 5-7, press in on both locks at the top of the tracks, remove the entire bundle and reload (Figure 16-2).



**Problem:** The shoe cover only covers the heel of the foot (Figure 16-3).

**Possible reason:** When pulling backwards, the user left the toe angled up too high (Figure 16-4).

**Solution:** Put your heel in the back of the shoe cover. Angle your heel slightly downward in order to catch the back of the shoe cover. In one continuous and smooth motion, pull back with your heel while dropping your toe into the shoe cover pocket (Figure 16-5). Larger shoes (sizes 12-16) require more control and precision when using the dispenser.



For further assistance, please contact us toll-free at **(888) 903-0333**.

### Packaging Specifications:

Dispenser measurements: 29" l x 13" w x 35.5" h (with handlebar installed)

Carton measurements: 32" l x 15" w x 32" h

Carton weight: 45 lbs.

### Packing List:

Shoe cover dispenser: 1 piece

Handlebar: 1 piece

Screws: 4 pieces

User manual: 1 piece

### Customer Service:

CleanPro® a division of Production Automation Corp.

121 Cheshire Lane, Ste. 400

Minnetonka, MN 55305

(888) 903-0333

[info@gotopac.com](mailto:info@gotopac.com)