

Ionizing Nozzle



Model IN3425

Ptec™ Air Ionizing Nozzle

Piezo AC Ionization: Powerful, Balanced and Precise

Features

- Ptec™ Technology
- High Frequency AC (68KHz) ion emission
- Interchangeable nozzle tips
- Alarm indicator
- Quick release gas connections

Benefits

- Inherently stable output. Does not require calibration
- Reduces emitter cleaning. Extends emitter life. Dense ion output
- Point-of-use ionization for unique and difficult applications.
- Red output alarm illuminates to alert high voltage failure
- Easily installed and serviced


Ptec™ Air Ionizing Nozzle

A specialized piezoceramic high voltage transformer drives the technology making Ptec™ ionizers among the most reliable ionizers available. The model IN3425 air ionizing nozzle produces a 68KHz AC output of approximately 2200V and a continuous stream of balanced air ions. The IN3425 works efficiently with clean dry air (CDA) and nitrogen (N₂) and is capable of 100 psi input. Stable, small and free from EMI, the IN3425 is equipped with auto ion balance and will alarm if the high voltage output fails.

Maintenance Savings

Ptec™ ionizers save time and money because they require no calibration. Emitter life is increased and maintenance frequency is reduced, due to 68KHz AC ion emission.

Model IN3425 Ptec™ Specifications

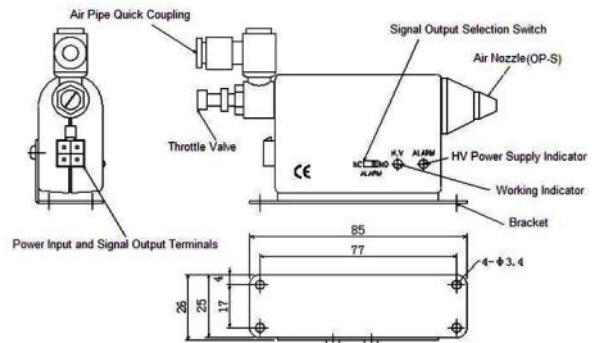
Power Supply Volt	AC 80V~240V 50/60Hz
Optional DC Power Unit	DC24V 200mA
Output HV	AC2200V
Safety Performance	Abnormal HV Alarm
Balance	±30 volts
Decay Time	1000V—100V, < 2 seconds @ 6"
Air line Requirements	1/4" NPT
Max. Air Range	28—100 psi
Ozone Density	Less than 0.01 ppm
LED Indicators	Ionization: Green, Alarm: Red
Controls	On/off switch, variable fan speed
Mounting	(4) four mounting holes
Emitter Points	Alloy Discharge Needle
Dimensions	2.0"H x 1"x 4.5" D, (5.0 x 2.6 x 10.3 cm) (with standard output nozzle)
Weight	1.0lbs, (.45kg)
Options	Various nozzle tips, (see selection chart)
Warranty	1-year limited warranty
Certifications	

Ptec™ Stability

The IN3425 air ionizing nozzle combines exceptionally fast static decay capability with excellent balance stability and can be mounted almost anywhere. The ionizing unit is self contained and operates using compressed air or nitrogen. The IN3425 uses a specialized piezoceramic technology that makes Ptec™ ionizers extremely reliable.

Performance

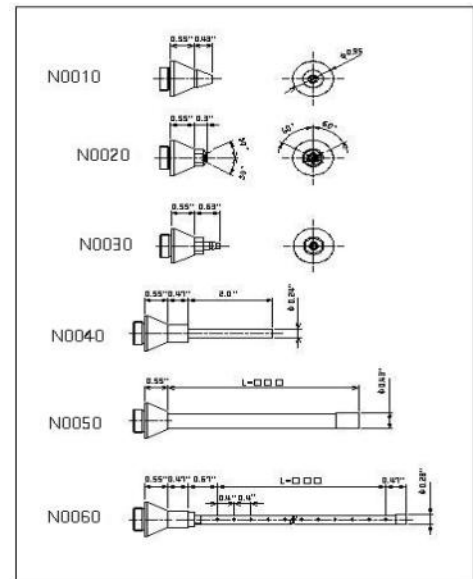
Pressure(kgf / cm2)	45	55	70	85
Positive Decay Time (sec)	0.4	0.4	0.3	0.3
Negative Decay Time (sec)	0.5	0.4	0.3	0.3
Ion Balance (V)	Within 0±30V			
Test is done according to EOS/ESD-STM3.1-2000 standard of America.				



Output Nozzle Options

The IN3420 comes with the IN0010 standard nozzle tip. Wide angle, long range, bendable, luer lock or manifold tips may be substituted depending on the application.

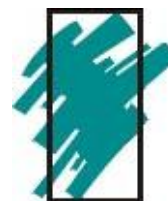
- N0010: Standard 15°
- N0020: Wide Angle
- N0030: Luer Lock
- N0040: Long Range
- N0050: Bendable
- N0060: Manifold



About Transforming Technologies

Since 1998, Transforming Technologies has helped electronic manufacturing facilities to protect their products and processes from the many serious problems associated with static electricity.

Transforming Technologies offers a wide range of unique and outstanding products to detect, protect, eliminate and monitor electrostatic charges. Our products are integral components of an effective static control program.



Transforming Technologies, LLC

3719 King Road.
Toledo, OH 43617

Phone: 1.419.841.9552
Fax: 1.419.841.3241
www.transforming-technologies.com

Outstanding Alternatives in Static Control