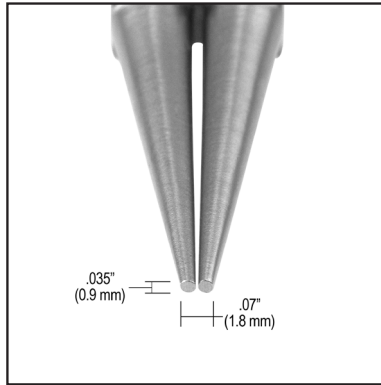
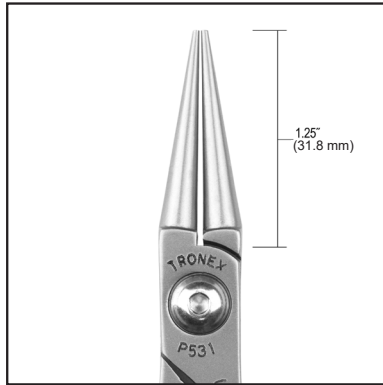




**Features:**

- **Application:** Round nose pliers are used in electronics and in jewelry making, primarily for making loops. Long Jaws allow for broader range of loop diameters.
- **Jaw Shape:** Round Nose
- **Material:** Carbon Steel
- **Material Hardness:** 32-33 HRC
- **Handle Grips:** Cushion Double Sheathed, ESD Safe
- **RTT Resistance:**  $<1 \times 10^{11}$  ohms tested per ANSI/ESD STM11.13 Two-Point Probe, resistance measurement for static dissipative materials

Item	Handle Length	Overall Length
P531	Standard	5.4 in 137 mm



Standard Profile

Unless otherwise noted, tolerance is  $\pm 10\%$ .



Made in the United States of America

Specifications and procedures subject to change without notice.

**ROUND NOSE PLIERS LONG JAW, STANDARD HANDLE**

**TRONEX**

2860 CORDELIA RD STE 230, FAIRFIELD CA, 94534  
 PHONE: (909) 627-2453  
 WEBSITE: [TronexTools.com](http://TronexTools.com)

**DRAWING NUMBER**  
P531

**DATE**  
January 2022