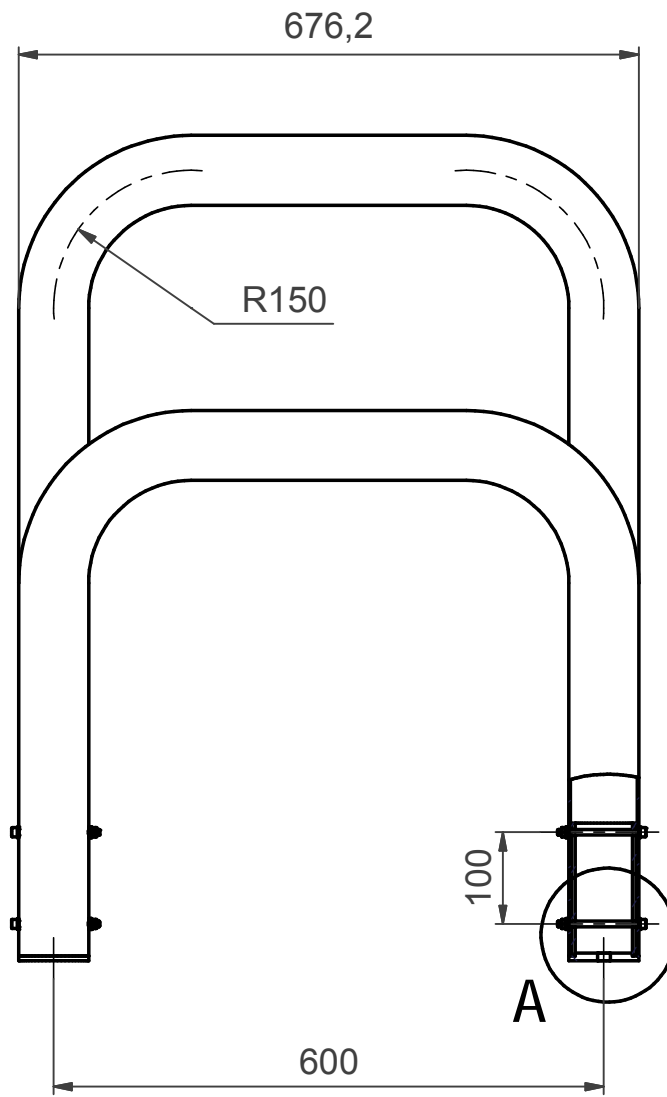


Fabrication Materials: Stainless Steel 304L
Finish: Electro-polished



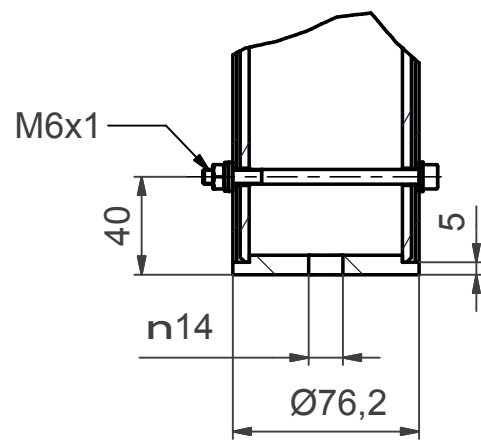
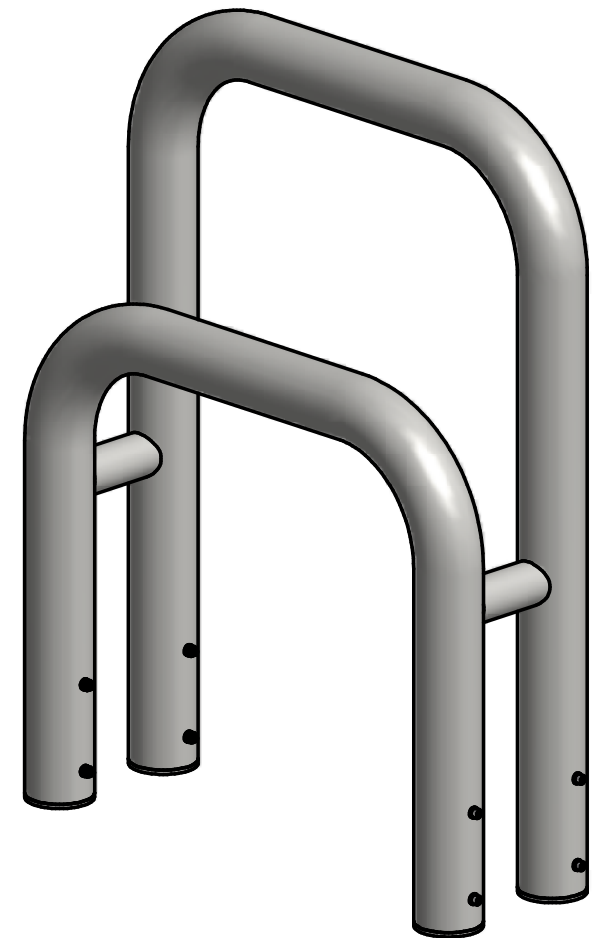
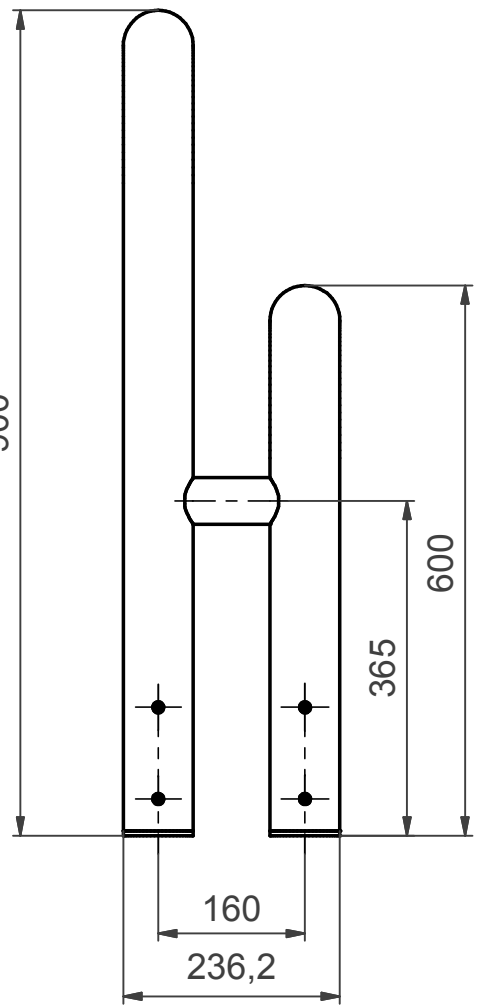
base connects to floor

A (1:3)

35.5"

900

24"



Estimation total weight 17 kg	VARIATION IN DIMENSIONS WITHOUT TOLERANCE IND. DIN 7168		PalbamClass EN HAROD IHUD	EUROPE PROJ EN HAROD IHUD
	BREAK EDGES 0.3x45	STATUS MEDIUM		
ALL RIGHTS STRICTLY RESERVED USE. REPRODUCTION OR ISSUE TO THIRD PARTY IN ANY FORM WHATEVER IS NOT PERMITTED UNLESS AUTHORIZED IN WRITING BY THE PROPRIETOR PalbamClass IL-18960 EN-HAROD IHUD-ISRAEL.	INNER RADIUS 0.3x45	SURF. ROUGH. PER ISO 1302	Double Lean Rail	
	DESIG	DATE 04/06/2015	NAME Alexey	SCALE A3
	APPR			SIZE A3
				SHEET 1 / 1
	DWG. No.	PCGR0602-000		

CONTROLLED COPIES OF THIS DOCUMENT HAVE A RED ISSUE DATE STAMP, THESE COPIES WILL BE UPDATED BY PALBAM CLASS INFORMATION SYSTEM. ANY OTHER COPY IS NOT CONTROLLED AND THEREFORE NOT UPDATED. PLEASE CHECK WITH INFORMATION SYSTEM FOR VALIDITY OF DOCUMENT.